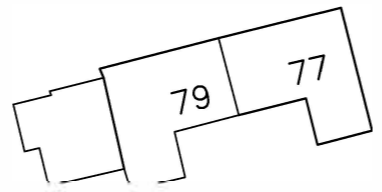
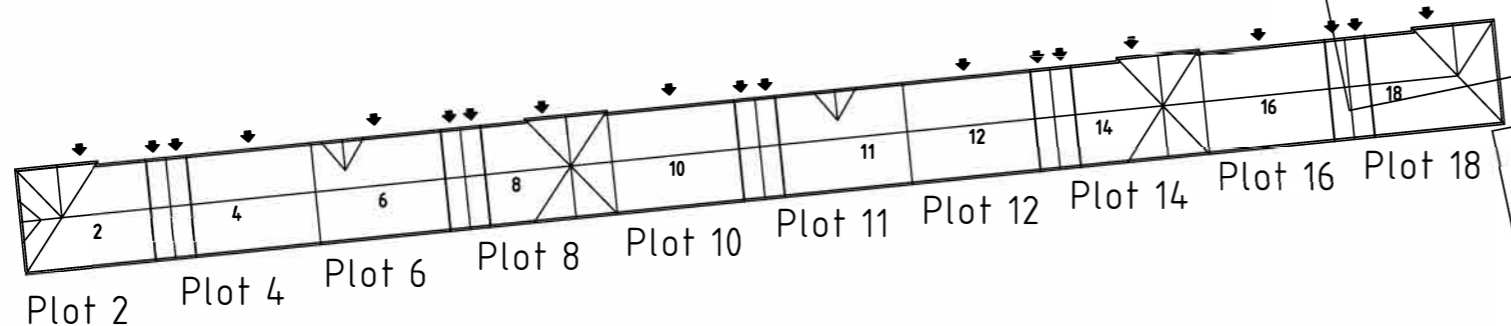


GREENWAY ROAD

BANKFIELD ROAD



- Land to be maintained by Management Company
- Allocated parking spaces maintained by management company
- Stairs to be transferred to first floor apartment

Development Bilston Area D Land to be Transferred to Management Company		
Date of Issue	Revision A	Scale 1/500

- ESTATE LAYOUT KEY**
- Private Access Way
 - Service Strip
 - Roads & Paths Maintained by Management Company
 - Electricity Cables
 - Sewer Easement
 - Visibility Splay
 - Ransom Strip

Director

Director / Secretary

CHESTNUT WALK AREA D BILSTON